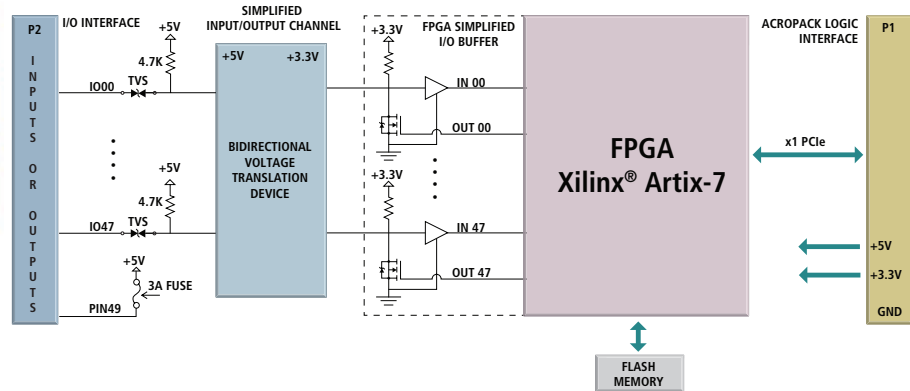
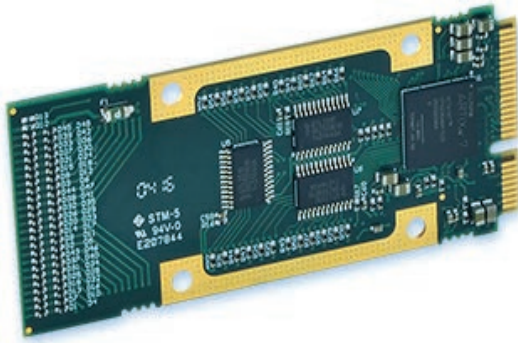


# AcroPack® Modules

## AP471 TTL Level Digital I/O



48 bidirectional input/output channels ♦ Digital I/O ♦ Wide Temperature Range ♦ PCIe Bus Interface

### Description

The AcroPack® product line updates our popular Industry Pack I/O modules with a PCIe interface format. This tech-refresh design offers a compact size, low-cost I/O, the same functionality of the existing IP modules and a rugged form factor. Combine different AcroPack modules on one carrier for a simplified modular approach to system assembly.

AP471 AcroPack I/O (AP) modules provide 48 general-purpose, bidirectional I/O points to economically monitor and control a large quantity of digital devices.

Each channel has interrupt capability for detecting low-to-high or high-to-low transitions. Change-of-state interrupts are supported using paired channels. Debounce eliminates interrupts from noise and switching transients for error-free edge detection.

AP471 outputs are full-featured. They provide closed-loop readback status monitoring. TTL level thresholds and 15mA sink capability allow a direct interface to standard relay racks. For safety, outputs go to a failsafe state upon power-up/reset without any instantaneous toggling to prevent false alarms.

Designed for COTS applications these TTL level digital I/O modules deliver high-density, high-reliability, and high-performance at a low cost.

AcroPack modules are RoHS compliant and ideal for military, defense, automation, aerospace, scientific, and development labs industries.

The AP471 module is 70mm long, this is 19.05mm longer than the full length mini PCIe card at 50.95mm. The boards width is the same as mPCIe board of 30mm and they use the same mPCIe standard board hold down standoff and screw keep out areas.

A down facing 100 pin Samtec connector will mate with the carrier card. Fifty of these signals are available as field I/O signals.

The AP471 maintains the same functionality of the existing Industry Pack modules providing a smooth transition to the AcroPack I/O modules.

### Key Features & Benefits

- PCI Express Generation 1 interface
- 48 bidirectional input/output channels
- Mix and match countless I/O combinations in a single slot.
- Sample software and diagnostics
- TTL-compatible inputs
- CMOS-compatible open-drain outputs
- Interrupt support for each channel
- Input debounce
- Electronic overvoltage protection on individual channels
- Open drain outputs
- Output readback registers - Output readback capability eliminates the need for additional input channels to verify the output channel state
- Output channels do not “glitch” after a power-up/reset to eliminate false alarms
- Solid-down connector I/O interface
- Wide temperature range
- XMC, VPX and PCIe carriers
- Linux®, Windows®, and VxWorks® support



Tel 248-295-0310 ■ Fax 248-624-9234 ■ solutions@acromag.com ■ www.acromag.com ■ 30765 Wixom Rd, Wixom, MI 48393 USA

## AP471 TTL Level Digital I/O

### Performance Specifications

#### Digital Inputs

Input channel configuration  
48 buffered inputs.

Input voltage range  
0 to 5V DC.

Input signal threshold  
1.5V typical.

#### Digital Outputs

Output channel configuration  
48 open-drain CMOS outputs.

Voltage range  
0 to 5V DC.

Output ON current range  
0 to 15mA DC.

Output pull-ups  
4.7k  $\Omega$  internal pull-ups installed on board.

#### PCI Express Base Specification

Conforms to revision 2.1

Lanes  
1 lane in each direction.

Bus Speed  
2.5 Gbps (Generation 1).

Memory  
4k space required.  
1 base address register.

#### Environmental

Operating temperature  
-40 to 70°C.  
-40 to 85°C.  
(requires an AcroPack heatsink conduction-cool kit)

Storage temperature  
-55 to 150°C.

Relative humidity  
5 to 95% non-condensing.

Power  
+3.3V ( $\pm 5\%$ ): 400mA typical 600mA max.  
+5V ( $\pm 5\%$ ): 60mA all outputs ON w/4.7k  $\Omega$  pull-ups  
0.5mA all outputs OFF.

#### Physical

Length  
70mm.

Width  
30mm.

### Ordering Information

#### AcroPack® Modules

[AP471E-LF](#)  
48-channel digital I/O module

(Note: Acropack modules are compatible only with the carriers listed below)

#### Accessories

[AP-CC-01](#)  
Conduction-cool kit

#### Carrier Cards

[APCe7010E-LF](#)  
PCIe AcroPack carrier, holds one AcroPack module, air-cooled.

[APCe7020E-LF](#)  
PCIe AcroPack carrier, holds two AcroPack modules, air-cooled.

[APCe7040E-LF](#)  
PCIe AcroPack carrier, holds four AcroPack modules, air-cooled.

[VPX4500E-LF](#)  
3U VPX AcroPack carrier, holds three AcroPack modules, air-cooled.

[VPX4500-CC-LF](#)  
3U VPX AcroPack carrier, holds three AcroPack modules, conduction-cooled.

[XMCAP2020-LF](#)  
XMC AcroPack carrier; holds two AcroPack modules, 2-slots out front, air-cooled.

[XMCAP2021-LF](#)  
XMC AcroPack carrier; holds two AcroPack modules, 2-slots out rear, air-cooled.

#### Software (see software documentation for details)

[APSW-API-VXW](#)  
VxWorks® software support package.

[APSW-API-WIN](#)  
Windows® DLL driver software support package.

[APSW-API-LNX](#)  
Linux® support (website download only).



AP-CC-01 Conduction-Cool Kit

ISO9001  
AS9100  
  
MADE IN USA

**Acromag**   
THE LEADER IN INDUSTRIAL I/O

Tel 248-295-0310 ■ Fax 248-624-9234 ■ [solutions@acromag.com](mailto:solutions@acromag.com) ■ [www.acromag.com](http://www.acromag.com) ■ 30765 Wixom Rd, Wixom, MI 48393 USA