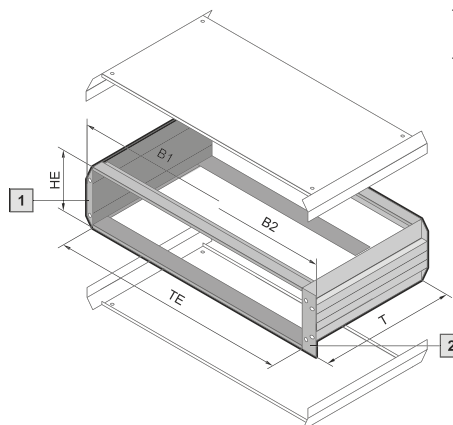


HeiPac Vario-Module 2 U



B = Width
T = Depth
HE = U
TE = HP



Technical specifications

Optionally for use as an instrument case or rack-mount enclosure. External dimensions to IEC 60 297-3 for installation in enclosures, 482,6 mm (19"). Installation dimensions for plug-in units according to IEC 60 297-3-101.

Protection category

IP 40 for non-vented version.

Supply includes

2 side panels
4 horizontal rails
4 threaded inserts
2 corner trims
Assembly parts

- 1** Equipped as an instrument case
- 2** Equipped as a rack-mount enclosure

Material/surface finish

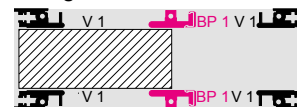
Side panels: Extruded aluminium section, spray-finished in RAL 7035
Horizontal rail: Extruded aluminium section, clear-chromated
Side trim panels: Extruded aluminium section, spray-finished in RAL 7035

Note

Corner trims, mounting flanges and top/bottom covers have to be ordered separately.

Horizontal rails for additional installations have to be ordered separately, see page 130

Exemplary horizontal rail configuration



2 U

	Packs of	2 U						Page
Installation width (HP)		42	42	63	63	84	84	
Width (B1) mm		235.6	235.6	342.3	342.3	449.0	449.0	
Width (B2) mm		251.6	251.6	358.3	358.3	465.1	465.1	
Depth (T) mm		250.4	310.4	250.4	310.4	250.4	310.4	
Mod.No. VM basic case	1	3982.000	3982.020	3982.290	3982.300	3982.010	3982.030	
Also required								
Top covers								
- with vent holes	1	3982.941	3982.951	3982.942	3982.952	3982.940	3982.950	107
- without vent holes	1	3982.901	3982.911	3982.902	3982.912	3982.900	3982.910	107
Bottom covers								
- with vent holes	1	3982.741	3982.751	3982.742	3982.752	3982.740	3982.750	107
- without vent holes	1	3982.701	3982.711	3982.702	3982.712	3982.700	3982.710	107
Front corner trims for assembly as instrument case	2	3981.300	3981.300	3981.300	3981.300	3981.300	3981.300	109
Flanges for configuration as rack-mount system - without handle holes	2	3981.200	3981.200	3981.200	3981.200	3981.200	3981.200	108
Accessories								
Front/rear panels	see page 110 - 111							
Rear adjustable feet	4	3901.000	3901.000	3901.000	3901.000	3901.000	3901.000	109

Other customised solutions regarding dimensions and colouring are available upon request. Please get in contact with one of our sales representatives for further assistance: Tel. +49 9126 - 29 34 0