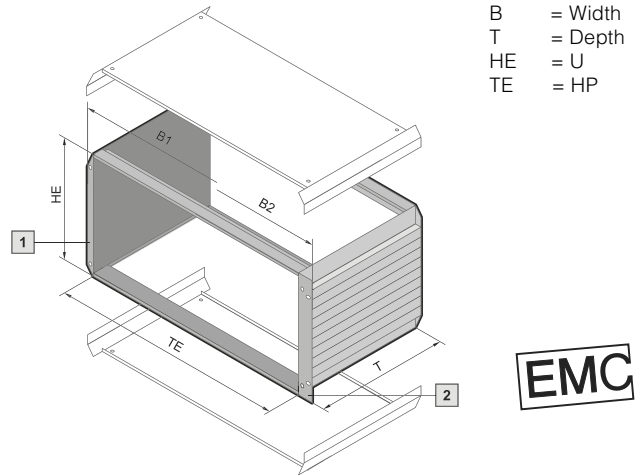


INSTRUMENT CASES AND SYSTEM ENCLOSURES

HeiPac Vario-Module

HeiPac Vario-Module 4 U, 6 U, 7 U, EMC



Technical specifications

Optionally for use as an instrument case or rack-mount enclosure. External dimensions according to IEC 60 297-3 for installation in enclosures, 482.6 mm (19"). Installation dimensions for plug-in units according to IEC 60 297-3-101.

Protection category

IP 40 for non-vented version.

Supply includes

2 side panels
4 horizontal rails
4 threaded inserts
2 corner trims
2 side trims centre
Assembly parts

1 Equipped as an instrument case

2 Equipped as a rack-mount enclosure

Material/surface finish

Side panels: Extruded aluminium section, spray-finished in RAL 7035
Horizontal rail: Extruded aluminium section, clear-chromated
Corner trims: Extruded aluminium section, spray-finished in RAL 7035
Side trims centre: Extruded aluminium section, spray-finished in RAL 7035
Contact points: conductive

Note

Corner trims, mounting flanges and top/bottom covers have to be ordered separately.

Horizontal rails for additional installations have to be ordered separately, see page 130

Exemplary horizontal rail configuration see page 105

	Packs of	4 U (3 + 1)			6 U			7 U		Page
Installation width (HP)		84	84	84	84	84	84	84	84	
Width (B1) mm		449,0	449,0	449,0	449,0	449,0	449,0	449,0	449,0	
Width (B2) mm		465,1	465,1	465,1	465,1	465,1	465,1	465,1	465,1	
Depth (T) mm		250,4	310,4	370,4	310,4	370,4	430,4	310,4	430,4	
Mod.No. VM basic case EMC	1	3983.110	3983.120	3983.130	3983.140	3983.150	3983.160	3983.170	3983.190	
Also required										
Top covers										
- with vent holes	1	3981.940	3981.950	3981.960	3981.950	3981.960	3981.970	3981.950	3981.970	107
- without vent holes	1	3981.900	3981.910	3981.920	3981.910	3981.920	3981.930	3981.910	3981.930	107
Bottom covers										
- with vent holes	1	3981.740	3981.750	3981.760	3981.750	3981.760	3981.770	3981.750	3981.770	107
- without vent holes	1	3981.700	3981.710	3981.720	3981.710	3981.720	3981.730	3981.710	3981.730	107
Front corner trims for assembly as instrument case	2	3981.320	3981.320	3981.320	3981.330	3981.330	3981.330	3981.340	3981.340	109
Flanges for configuration as rack-mount system										
- without handle holes	2	3981.220	3981.220	3981.220	3981.230	3981.230	3981.230	3981.240	3981.240	108
- with handle holes	2	3981.270	3981.270	3981.270	3981.280	3981.280	3981.280	3981.290	3981.290	108
EMC installation										
EMC gaskets, horizontal										
- for upper/lower horizontal rail	1	3684.808	3684.808	3684.808	3684.808	3684.808	3684.808	3684.808	3684.808	145
- between covers and horizontal rails	10	3684.245	3684.245	3684.245	3684.245	3684.245	3684.245	3684.245	3684.245	147
EMC gaskets, vertical	1	3686.976	3686.976	3686.976	3686.977	3686.977	3686.977	3686.978	3686.978	111
Front/rear panels EMC	see page 110 - 111									
Accessories										
Carrying handles	2	3981.350	3981.360	3981.370	3981.360	3981.370	3981.380	3981.360	3981.370	109
Front handles ¹⁾	2	3636.010	3636.010	3636.010	3666.010	3666.010	3666.010	3666.010	3666.010	57
Rear adjustable feet	4	3901.000	3901.000	3901.000	3901.000	3901.000	3901.000	3901.000	3901.000	109

¹⁾ Only in conjunction with mounting flanges with handle holes.

Other customised solutions regarding dimensions and colouring are available upon request. Please get in contact with one of our sales representatives for further assistance: [Tel. +49 9126 - 29 34 0](tel:+49912629340)