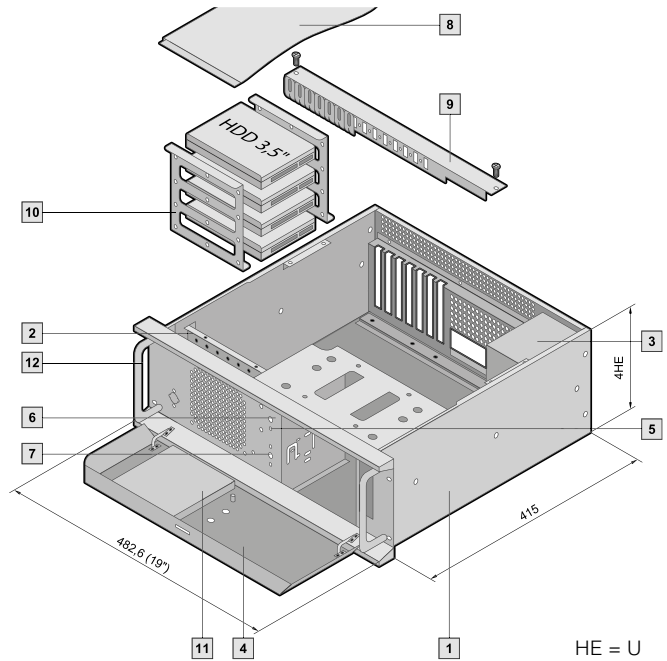


INDUSTRIAL PC ATX ECONOMY

ATX Economy with front door, 4 U, sheet steel



Technical specifications

482.6 mm (19") rack-mount system for the installation of ATX/Mini-ATX or Micro-ATX boards and 3 x 5 ¼" and 1 x 3 ½" drives.
 Width: 482.6 mm (19")
 Height 4 U (177.0 mm)
 Total depth: 430 mm
 EMC prepared

Material/surface

Case, cover: 1.2 mm sheet steel, zinc plated, passivated front door
 1.2 mm, sheet steel spray finished in RAL9035, unpainted contact points

Standards

Complies with IEC 60 297-3 and ATX-specification 2.01

Supply includes

- 1** Rack-mount system 4 U including drive holder
- 2** 1 x 120 mm fan with filter mat
- 3** ATX power pack 350 W
- 4** Front door, horizontally, hinged, lockable
- 5** LED displays, speakers
- 6** Reset button
- 7** On/off switch
- 8** Cover

| | Packs of | | Page |
|---|----------|-----------------|------|
| U | | 4 | |
| Width mm | | 482.6 (19") | |
| Height mm | | 177.0/174.0 | |
| Depth mm | | 430.0/415.0 | |
| Model No. basic system fully assembled | 1 | 3659.100 | |
| Accessories | | | |
| Card retainer | 7 | 3659.010 | 215 |
| Mounting bar for card retainer | 1 | 3659.090 | 215 |
| Unused slot cover | 5 | 3659.030 | 214 |
| Cover for 5¼" drive space | 1 | 3659.110 | 214 |
| Cover for 3½" drive space | 1 | 3659.410 | 214 |
| 10 Drive holder | 1 set | 3659.230 | 214 |
| 11 Spare filter mat | 1 | 3659.120 | - |
| Telescopic slides for 600 mm enclosure depth | 1 set | 3659.180 | 214 |
| Telescopic slides for 800 mm enclosure depth | 1 set | 3659.190 | 214 |
| 12 Front handles for ATX 4 U | 2 | 3659.240 | 215 |

Other customised subrack solutions are available upon request. Please get in contact with one of our sales representatives for further assistance: [Tel. +49 9126 - 29 34 0](tel:+49912629340)