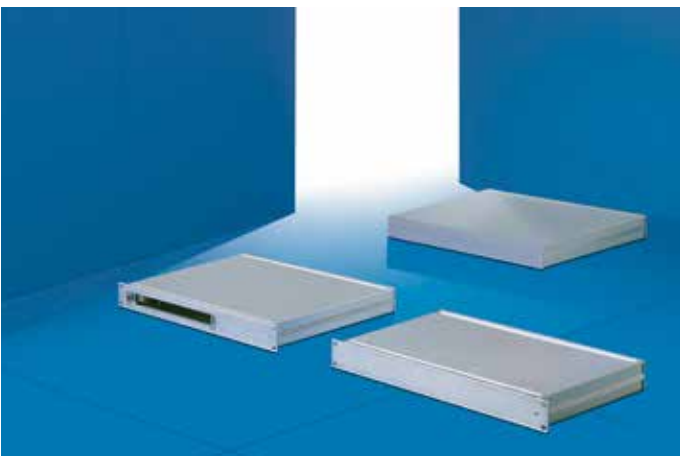
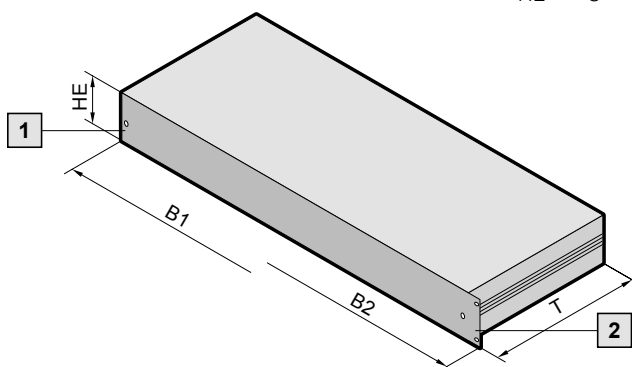


HeiBox system enclosure 1 U



B = Width
T = Depth
HE = U



Technical specifications

System enclosures 1 U, 150, 200, 250, 300, 350 mm deep. Easy to assemble with just 4 screws. Optionally for use as an instrument case or 19" rack-mount enclosure. Front panel to hold an overlay to conceal the screws. Maximum interior space. Optional EMC upgrades with additional EMC gaskets. Option of installing electronic boards such as 1 VME or CPCI board horizontally.

Design

System enclosure 1 U, to IEC 60 297-3. Optionally available for 19" rack-mounting in the enclosure or as an instrument case version.

- 1** Equipped as an instrument case
- 2** Equipped as a rack-mount unit

Material/surface finish

Side panels: Extruded aluminium section, untreated
 Base/cover trays: Aluminium, clear-chromated
 Front/rear panel: Extruded aluminium section, clear-chromated
 Mounting plate : Aluminium

U	1	1	1	1	1	-	-
Width (B1) mm	447	447	447	447	447	-	-
Width (B2) mm	482.6 (19")	482.6 (19")	482.6 (19")	482.6 (19")	482.6 (19")	482.6 (19")	482.6 (19")
Depth (T) mm	150	200	250	300	350	250	350
Model No. instrument case	3687.819	3687.820	3687.821	3687.822	3687.823	-	-
Model No. rack case	3687.814	3687.815	3687.816	3687.817	3687.818	-	-
Model No. rack-mount including mounting kit for double Euroboards	-	-	-	-	-	3684.072	3684.073
Supply includes							
Side panel	2	2	2	2	2	2	2
Front panel	1	1	1	1	1	1	1
Rear panel	1	1	1	1	1	1	1
Base/cover tray	2	2	2	2	2	2	2
Mounting kit	-	-	-	-	-	1	1
Accessories							
EMC set	9919.999	9919.999	9919.999	9919.999	9919.999	9919.999	9919.999
Mounting plate	3684.074	3684.075	3684.076	3684.077	3684.078	-	-

Other customised solutions regarding dimensions and coloring are available upon request. Please get in contact with one of our sales representatives for further assistance: [Tel. +49 9126 - 29 34 0](tel:+49912629340)